



IL5 series

5 x 5 mm cubic
miniaturized inductive sensors



5 x 5 mm cubic
miniaturized

features

- Complete range of cubic inductive sensors IL8 series: 5x5x25 mm
- IP67 protection degree



web contents



- Application notes
- Photos
- Catalogue / Manuals



code description (*)

	IL	5	/	A	P	-	3	A
series	IL	Cubic inductive sensor						
housing	5	5 x 5 x 25 mm						
output state	A	NO output state						
	C	NC output state						
output logic	N	NPN logic output						
	P	PNP logic output						
distance	1	Standard shielded model 0.8 mm						
	3	Long distance shielded model 1.5 mm						
connect.	A	2 m cable exit in PUR						
	VF80	Free connector M8 + cable 200 mm PUR (**)						



(*) ATEX models available, contact our Sales Dept. for further information.

(**) Models without UL certification.

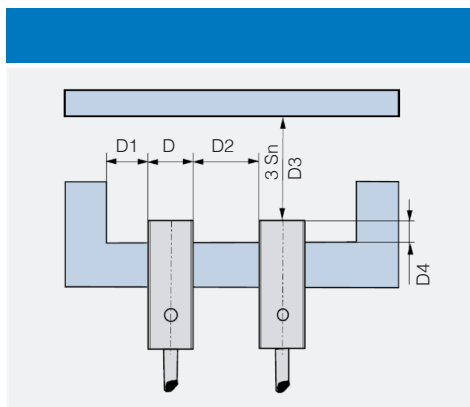
available model

diameter (mm)	installation	distance	plug	distance (mm)	NPN/NO	NPN/NC	PNP/NO	PNP/NC
5 x 5	shielded	standard	cable	0.8	IL5/AN-1A	IL5/CN-1A	IL5/AP-1A	IL5/CP-1A
			pigtail M8		IL5/AN-1AVF80	IL5/CN-1AVF80	IL5/AP-1AVF80	IL5/CP-1AVF80
		long distance	cable	1.5	IL5/AN-3A	IL5/CN-3A	IL5/AP-3A	IL5/CP-3A
			pigtail M8		IL5/AN-3AVF80	IL5/CN-1AVF80	IL5/AP-3AVF80	IL5/CP-3AVF80

5 x 5 mm cubic
miniaturized

	IL5/**-1*	IL5/**-3*
		
nominal sensing distance	0.8 mm	1.5 mm
operating distance	0...0.65 mm	0...1.21 mm
hysteresis	1...20%	
standard target	5x5 mm FE360	
repeatability	5% @UB=20...30 V; Ta = 23°C ±5°C	
operating voltage	10...30 Vcc	
max. ripple content	≤ 10%	
output current	≤ 100 mA	
output voltage drop	≤ 1.5 V @ 100 mA	
no-load supply current	≤ 10 mA	
logic output	PNP or NPN	
output state	NO or NC	
leakage current	≤ 10 µA	
switching frequency	≤ 7kHz	
power on delay	≤ 50 ms	
ambient temperature range	-25°C...+70°C	
temperature drift of Sr	≤ 10%	
short circuit protection	●	
induction protection	●	
voltage reversal protection	●	
shocks and vibrations	IEC 60947-5-2	
LEDs	yellow (output state)	
protection degree	IP67	
EMC	in conformity with the EMC Directive according to IEC 60947-5-2	
housing material	AISI303 stainless steel housing	
active head material	PBT	
connection	2m PUR cable exit / M8 plug + 200mm pigtail cable exit	

installation

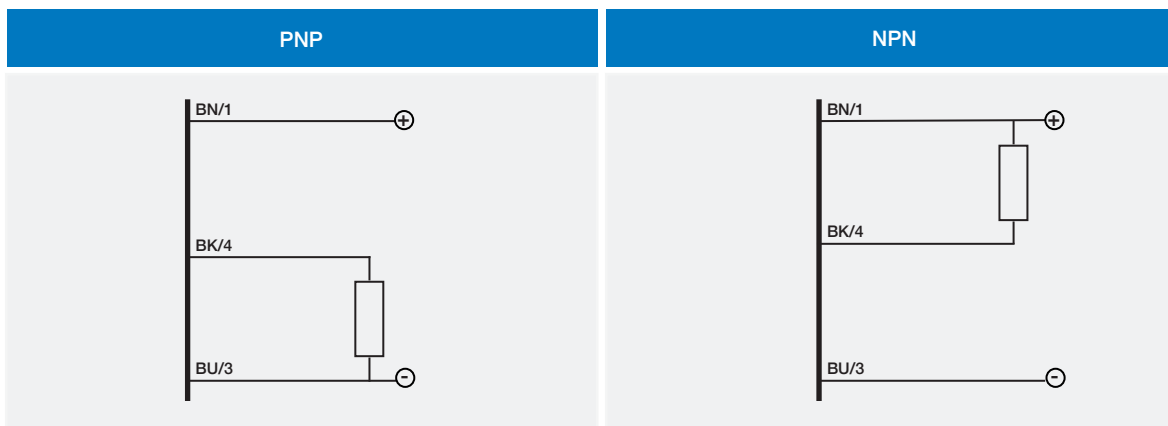


model	D4	D1	D2	D3
IL5/**-1*	≥ 0 mm	≥ 0 mm	≥ 1 mm	≥ 2.4 mm
IL5/**-3*			≥ 2 mm	≥ 4.5 mm

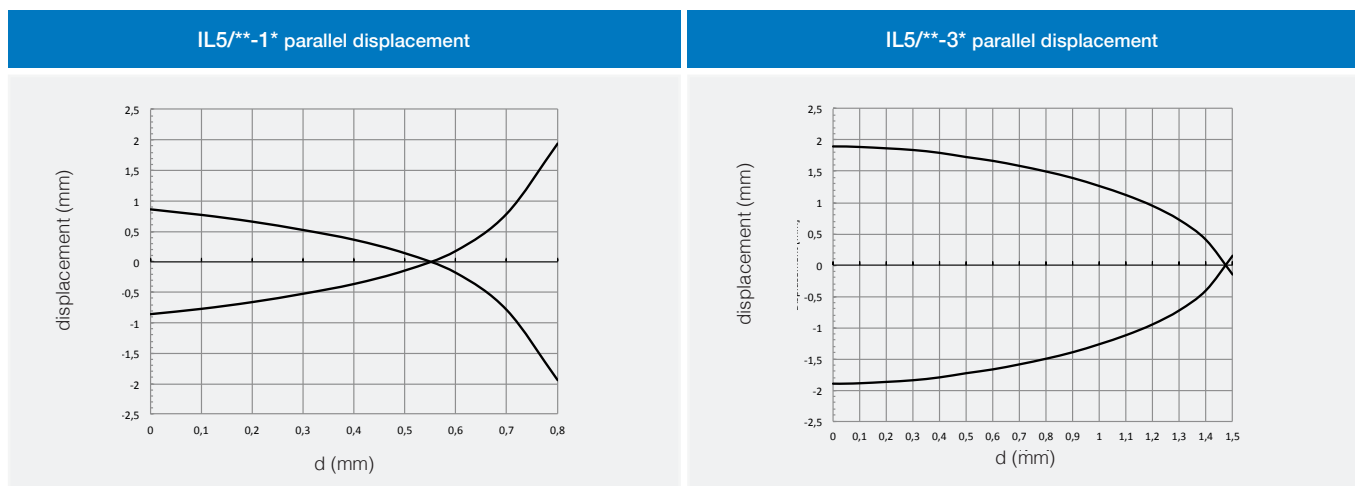
electrical diagrams of the connections



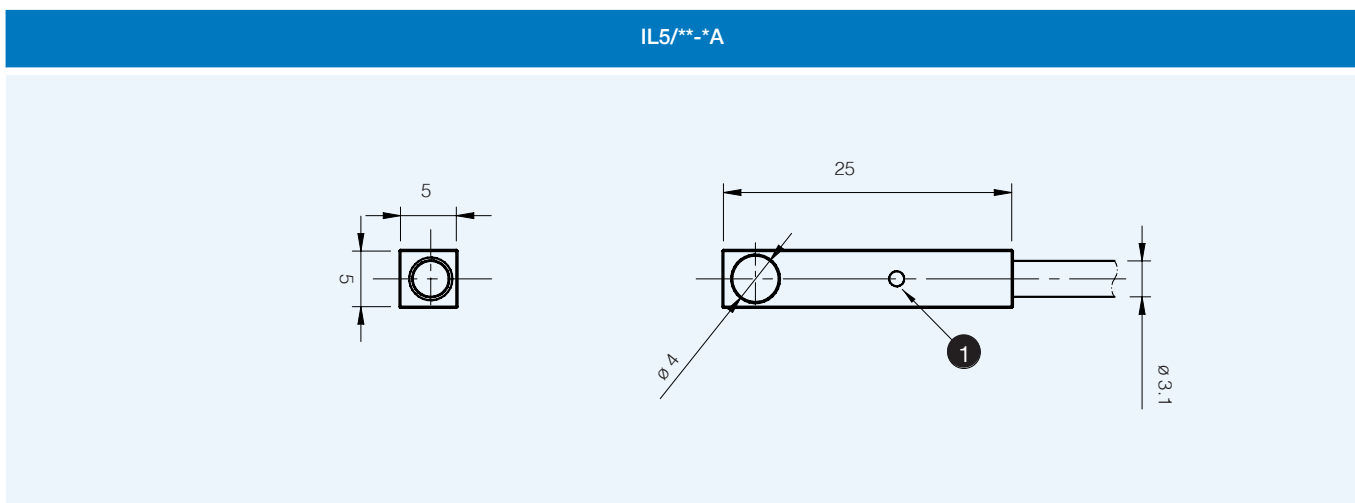
5 x 5 mm cubic
miniaturized



response diagram



dimensions (mm)



1 LED