



# VT series

Cylindrical M30 in AC inductive sensors



## features

- Output: cable and M12 plug cable exit
- Models with 2 wires
- IP 67 protection degree
- Multivoltage 20 ...253 Vac



## web contents



- Application notes
- Photos
- Catalogue / Manuals



Cylindrical M30 in AC

## code description



VT 2 / A 0 - 1 B

series	<b>VT</b>	AC M30 inductive proximity switch
housing	<b>2</b>	Standard body
output state	<b>A</b>	NO output state
	<b>C</b>	NC output state
version	<b>0</b>	2 wires version
distance	<b>1</b>	Shielded standard 10 mm
	<b>2</b>	Unshielded standard 15 mm
connect.	<b>B</b>	Cable exit with tang
	<b>H</b>	M12 connector exit

## available models

diameter	installation	distance	connection	distance (mm)	NO	NC
M30	shielded	standard	wire with tang	10	VT2/A0-1B	VT2/C0-1B
			M12		VT2/A0-1H	VT2/C0-1H
	unshielded		wire with tang	15	VT2/A0-2B	VT2/C0-2B
			M12		VT2/A0-2H	VT2/C0-2H

VT

	VT2/**-1*	VT2/**-2*
		
nominal sensing distance	10 mm	15 mm
operating distance	0 ...8.1 mm	0 ...12.1 mm
hysteresis	1 ... 20%	
standard target	30X30 mm FE360	45X45 mm FE360
repeatability	5%	
operating voltage	20 ... 253 Vac – 50/60 Hz	
inrush current	7A (Ton = 10 ms)	
output current	5 ... 300 mA RMS	
output type	TRIAC – NO or NC	
leakage current	1 mA RMS max.	
switching frequency	25 Hz	
power on delay	200 ms	
ambient temperature range	-25° ... +70°C	
temperature drift of Sr	10% Sr	
short-circuit protection	-	
LEDs	yellow (output energized)	
protection degree	IP 67 <sup>(1)</sup>	
EMC	in conformity with the EMC Directive according to IEC 60947-5-2	
shocks and vibrations	IEC 60947-5-2	
housing material	nickel-plated brass	
active head material	PBT	
connection	cable or M12 plug	
weight	30 g M12 connector 100 g cable	
tightening torque	50 Nm	

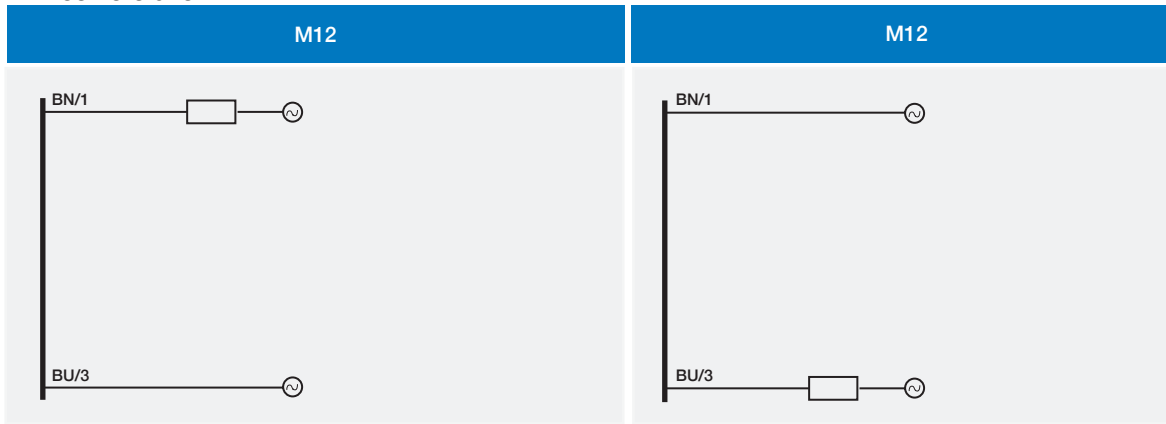
<sup>(1)</sup> Protection guaranteed only with plug cable well mounted

## correction factors

code	steel FE 360	copper	alluminium	brass	stainless steel
VT2/**-1*	1	0,40	0,50	0,55	0,75
VT2/**-2*		0,45		0,60	0,80

# electrical diagrams of connections

2 wires versions

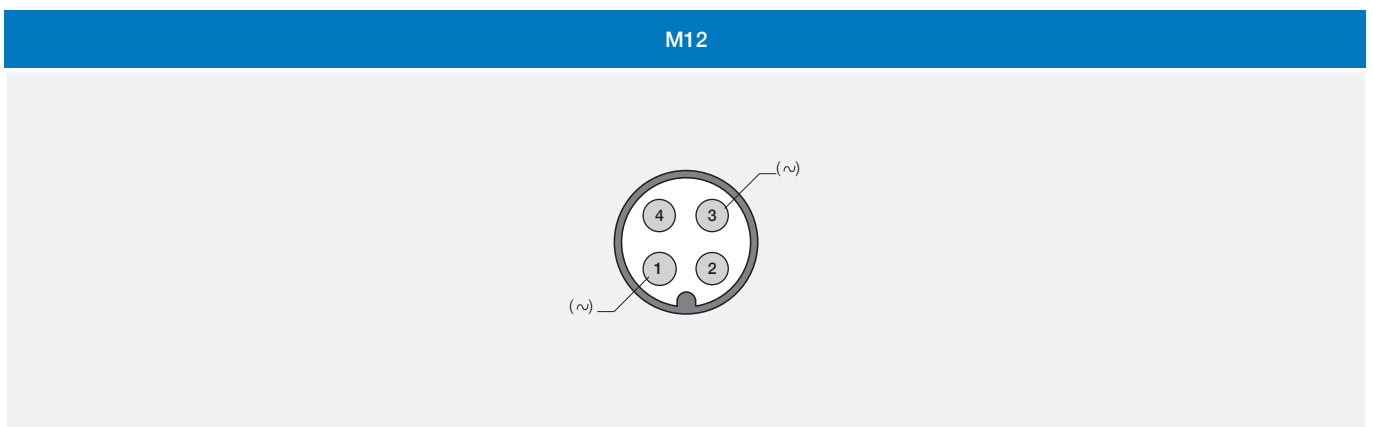


- BN brown
- BU blue
- BK black
- WH white

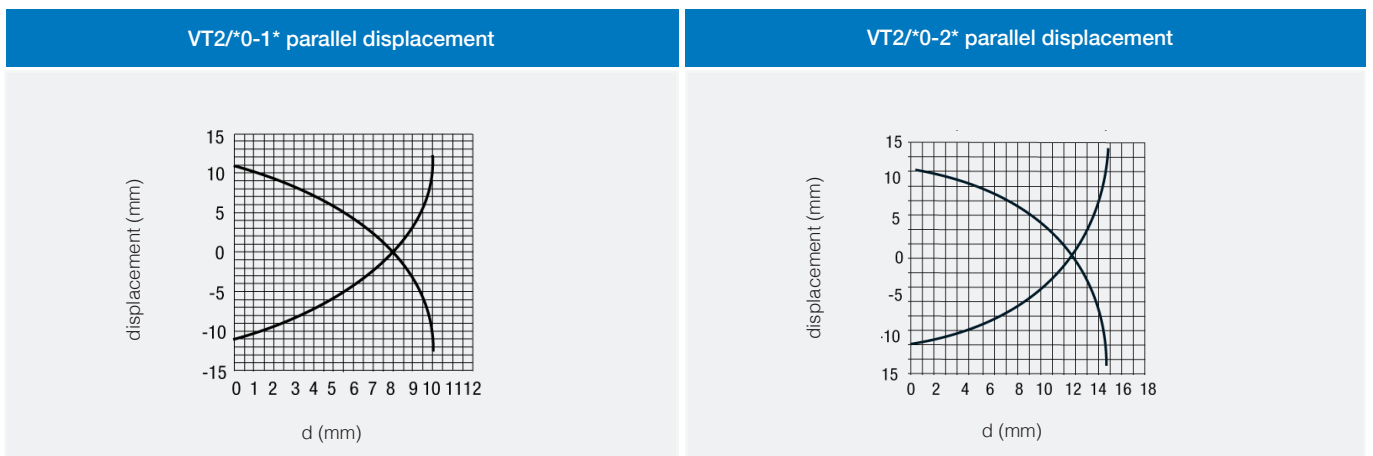


Cylindrical M30 in AC

## plug

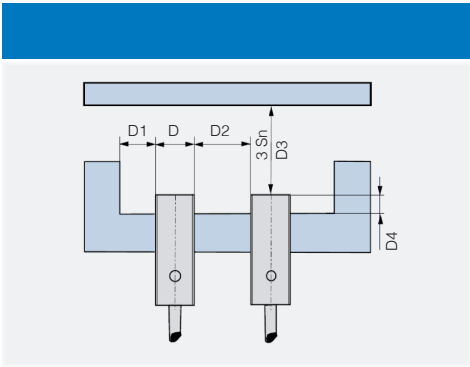


## response diagram



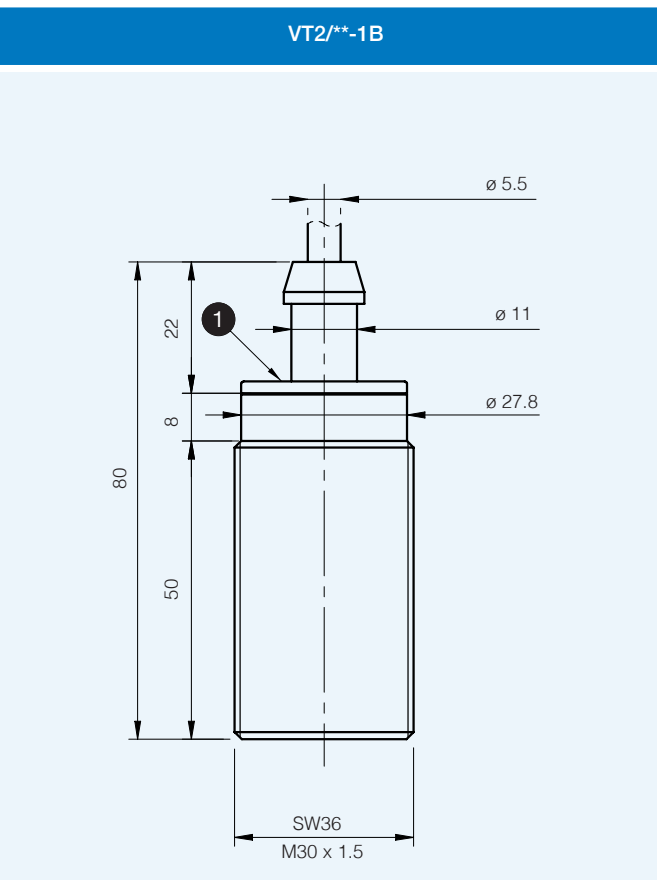
VT

# installation

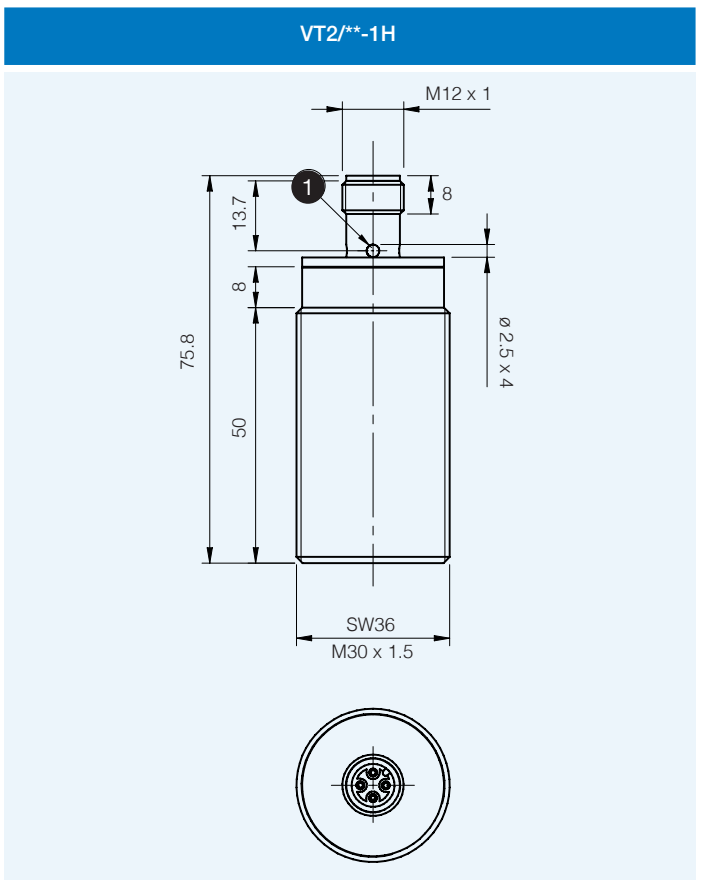


code	D4	D1	D2	D3
VT2/**-1*	≥ 0 mm	≥ 10 mm	≥ 30 mm	≥ 30 mm
VT2/**-2*	≥ 18 mm	≥ 15 mm	≥ 45 mm	≥ 45 mm

# dimensions

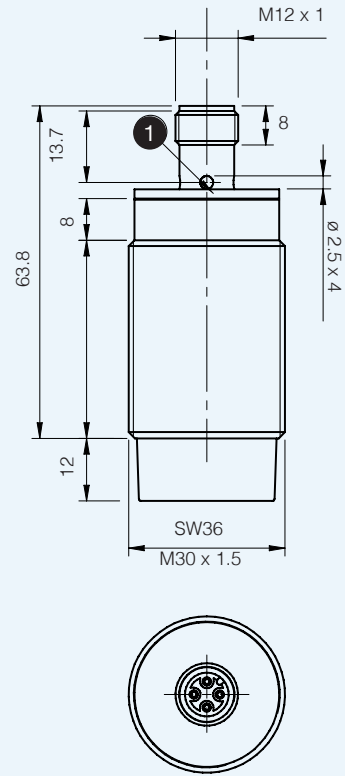
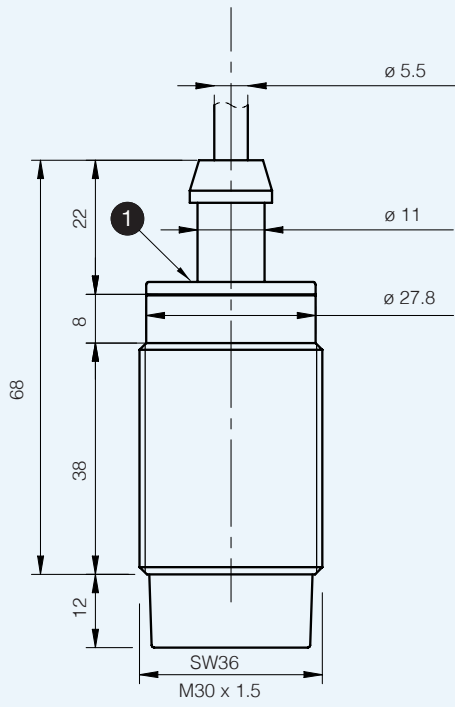


1 LED



VT2/\*\*-2B

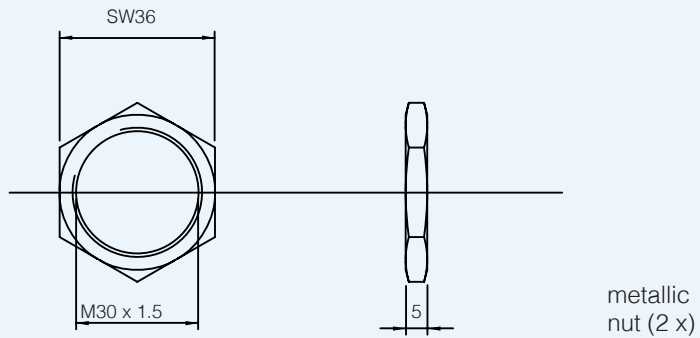
VT2/\*\*-2H



1 LED

## dimensions (mm)

accessories included in all models



Cylindrical M30 in AC

VT